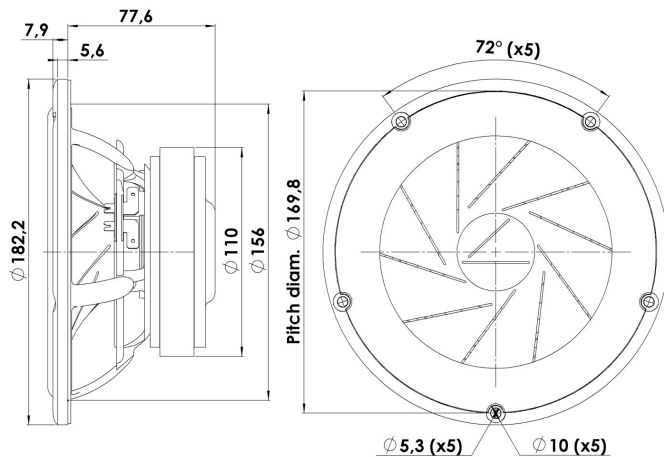


REVELATOR

MIDWOOFER

18W/8531G00

The Revelator midrange and midwoofers, both well known for their sliced paper cone technology. The slices are filled with damping glue, which dramatically reduces break-up modes in the diaphragm. In combination with Scan-Speaks Low-loss linear suspension and the patented Symmetrical drive (SD-1) it represented a breakthrough in midrange clarity and overall smooth frequency response characteristics.



KEY FEATURES:

- Patented Symmetrical Drive Motor Design
- Low-Loss linear suspension
- Die cast Alu Chassis vented below spider
- Sliced Cone (Controls Cone Breakups)
- Low Damping SBR Rubber Surround
- Large Ferrite Magnet System

T-S Parameters

| | |
|-------------------------------|---------------------|
| Resonance frequency [fs] | 28 Hz |
| Mechanical Q factor [Qms] | 5.10 |
| Electrical Q factor [Qes] | 0.39 |
| Total Q factor [Qts] | 0.36 |
| Force factor [Bl] | 6.8 Tm |
| Mechanical resistance [Rms] | 0.60 kg/s |
| Moving mass [Mms] | 17.5 g |
| Compliance [Cms] | 1.85 mm/N |
| Effective diaph. diameter [D] | 138 mm |
| Effective piston area [Sd] | 150 cm ² |
| Equivalent volume [Vas] | 58.2 l |
| Sensitivity (2.83V/1m) | 87 dB |
| Ratio Bl/√Re | 2.82 N/√W |
| Ratio fs/Qts | 77 Hz |

Notes:

IEC specs. refer to IEC 60268-5 third edition.
All Scan-Speak products are RoHS compliant.
Data are subject to change without notice.
Datasheet updated: February 18, 2015.

Electrical Data

| | |
|----------------------------|---------|
| Nominal impedance [Zn] | 8 Ω |
| Minimum impedance [Zmin] | 6.4 Ω |
| Maximum impedance [Zo] | 81.6 Ω |
| DC resistance [Re] | 5.8 Ω |
| Voice coil inductance [Le] | 0.35 mH |

Power Handling

| | |
|--------------------------------|------|
| 100h RMS noise test (IEC 17.1) | 60 W |
| Long-term max power (IEC 17.3) | 70 W |

Voice Coil & Magnet Data

| | |
|---------------------|----------|
| Voice coil diameter | 38 mm |
| Voice coil height | 18 mm |
| Voice coil layers | 2 |
| Height of gap | 5 mm |
| Linear excursion | ± 6.5 mm |
| Max mech. excursion | ± 11 mm |
| Unit weight | 1.7 kg |

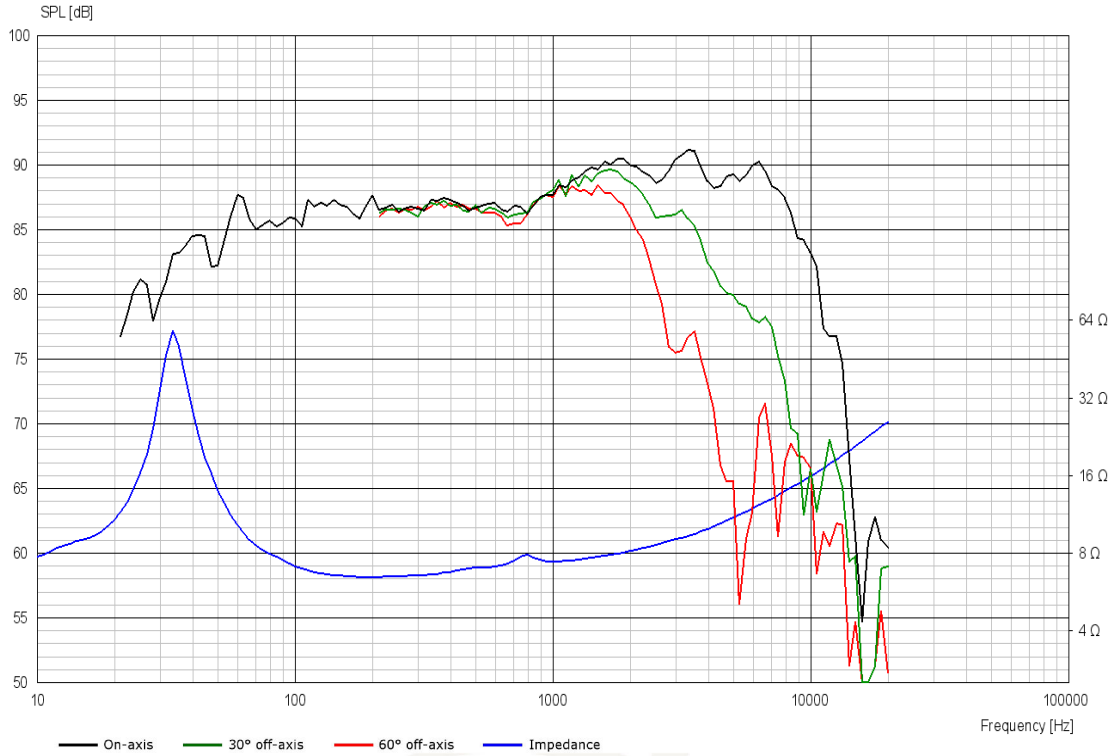




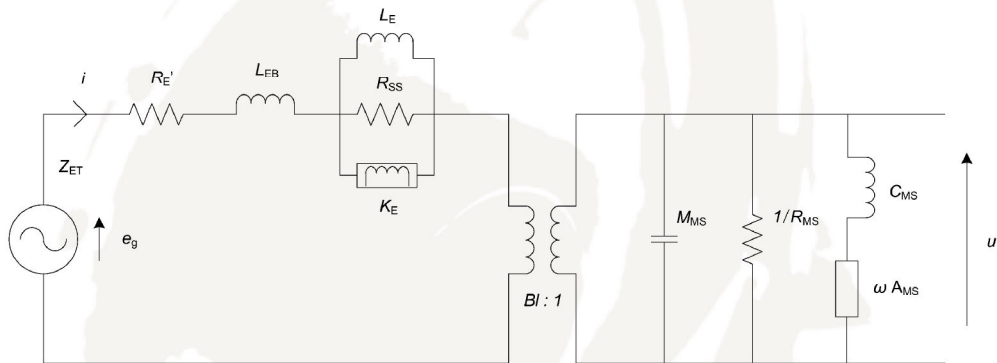
REVELATOR

MIDWOOFER

18W/8531G00



Advanced Parameters (Preliminary)



Electrical data

| | |
|-------------------------------|---------------|
| Resistance [$R_{E'}$] | 5.92 Ω |
| Free inductance [L_{EB}] | 0.122 mH |
| Bound inductance [L_E] | 2.31 mH |
| Semi-inductance [K_E] | 0.026 SH |
| Shunt resistance [R_{SS}] | 220 Ω |

Mechanical Data

| | |
|------------------------------------|-----------|
| Force Factor [BI] | 6.42 Tm |
| Moving mass [M_{MS}] | 17.3 g |
| Compliance [C_{MS}] | 1.49 mm/N |
| Mechanical resistance [R_{MS}] | 0.57 kg/s |
| Admittance [A_{MS}] | 0.17 mm/N |

