

S280-18-282

Bass driver

DOMEMATERIAL: SANDWICH
APPLICATION: BASS
NOMINAL DIAMETER: 280 mm
SENSITIVITY: 88.5 dB

MAIN FEATURES :

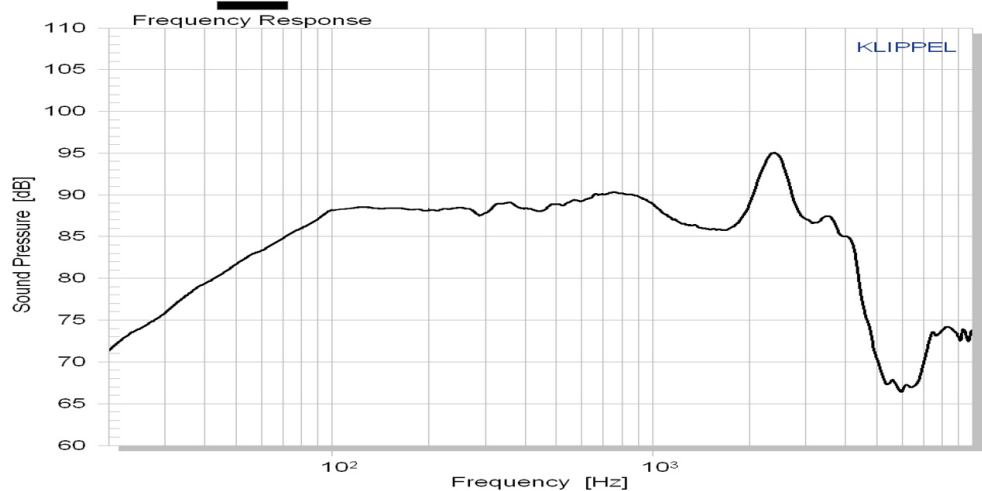
UNDERHUNG MOTOR DESIGN

55 MM TITANIUM VC FORMER

SPECIAL SOFT RUBBER SURROUND

VENTED VC, POLE PIECE & SPIDER

25 HZ - 600 HZ IN VENTED BOX



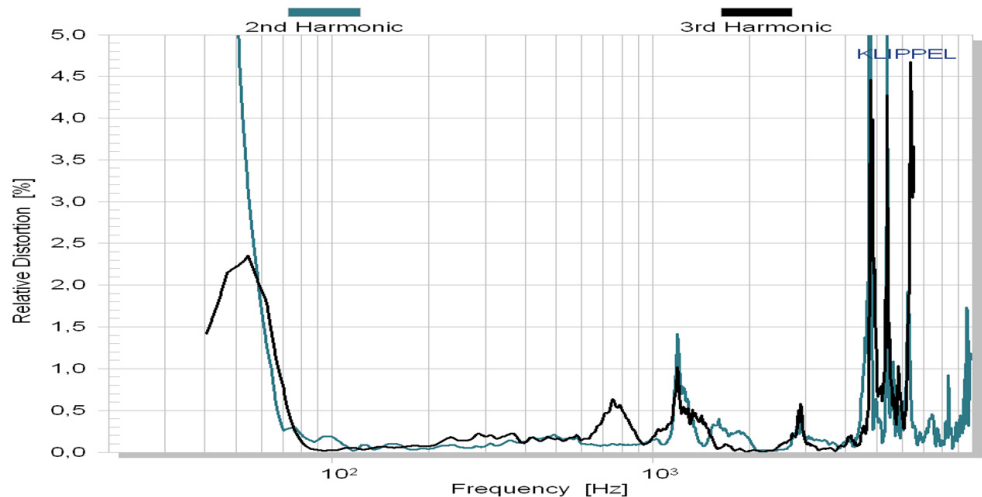
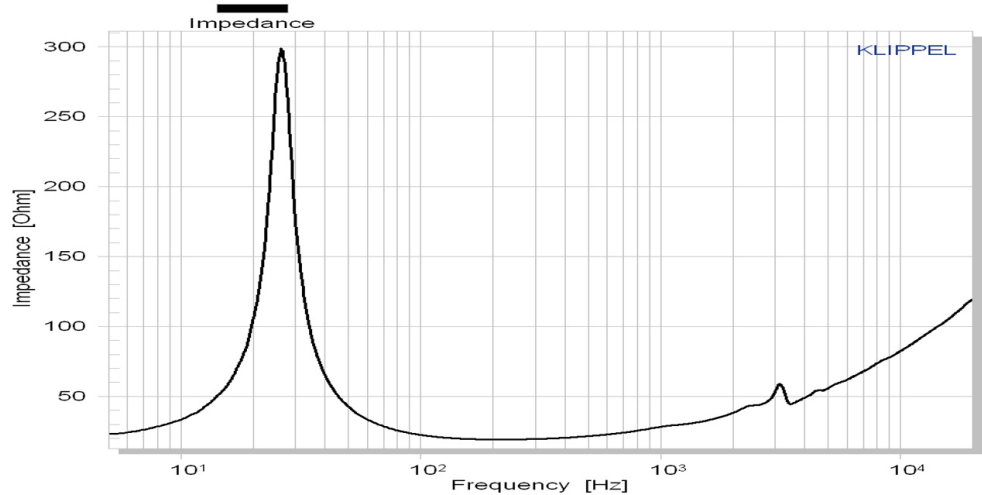
The **S280 – 18 – 282** is an 10 inch bass driver with ultra hard ceramic - sandwich dome.

A **FEA optimized** underhung motor design with 55 mm titanium voice coil former guarantees very low energy storage and good heat transfer. Its high force factor leads to outstanding transient response for more realistic reproduction.

The low loss rubber surround and a **thin fabric spider** center the moving parts with high linearity. A special high shape, narrow surround is used, to get maximum excursion limits with biggest possible piston area.

A new basket was designed with attention to optimum airflow and resonance control.

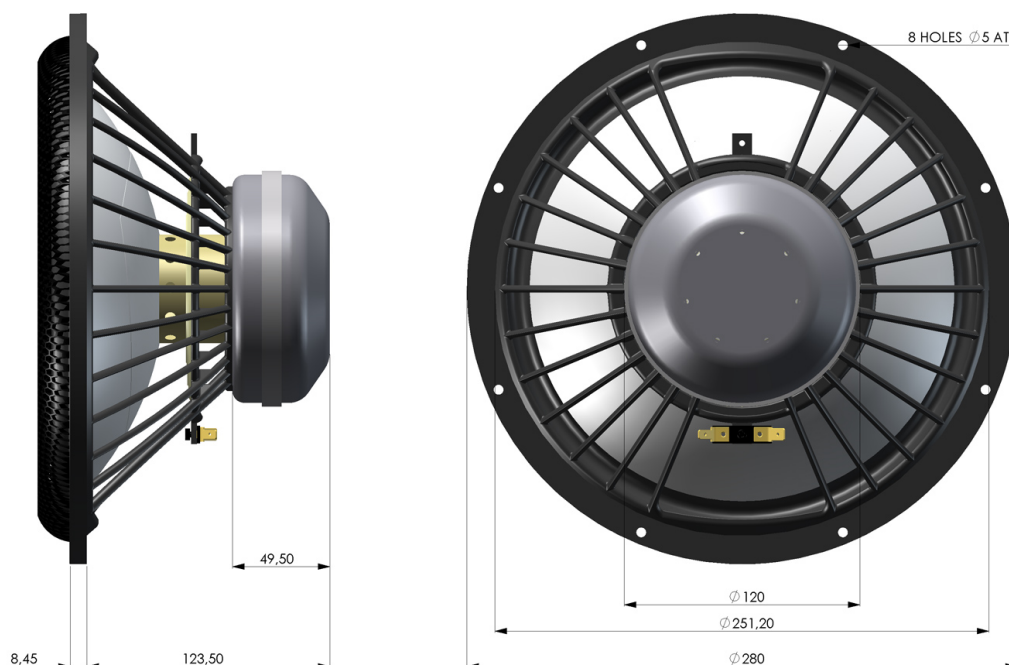
For this exceptional driver, we recommended an application from 25 Hz - 600 Hz.





S280-18-282
Bass driver

8 HOLES $\varnothing 5$ AT $\varnothing 268$



Mechanical data

Overall diameter	280	mm
Cutout hole diameter	251.2	mm
Frontplate depth	8.45	mm
Overall depth	131.95	mm
Motor assembly diameter	120	mm
Motor assembly depth	49.5	mm
Screw fitting	DIN 7984, 4mm	
Terminal	+ : 6.3 x 0.8 / - : 4.8 x 0.8	mm
Shipping weight / net weight	4.5 / 3.8	kg
Shipping box size	300 / 180 / 300	mm

Thiele/Small Parameters

Sensitivity (2.83V / 1m)	Lp	88.5*	dB
DC-resistance	Re	18.5	Ohm
Resonance frequency	Fs	20	Hz
Equivalent vol. of air	Vas	226	L
Mechanical Q	Qms	6.74	
Electrical Q	Qes	0.27	
Total Q	Qts	0.26	
Effective piston area	Sd	408	cm ²
Moving mass	Mms	63	g
Suspension compl.	Cms	0.94	mm/N
Mechanical resistance	Rms	1.22	kg x s

Voice Coil data

Power handling	P	150*	Watt
Linear excursion	Xmax	+/- 6	mm
Voice coil diameter		55	mm
Voice coil former material		Ti	
Voice coil material		Cu	
Voice coil inductance	Le	2.25	mH
Force factor	Bl	23.7	N/A
Motor type		Underhung	
Ferrofluid filling		no	

* Please refer to www.accuton.com for exact measurement conditions and additional information.

All rights reserved - All data with reservation and subject to change.

Thiel & Partner GmbH Rommerskirchenerstrasse 21 50259 Pulheim T +49 (0) 2238 / 475475 info@accuton.com