

22TAF/G is a High Definition metal dome tweeter with wide, coated fabric surround and combine the high frequency behaviour of a 3/4" dome with the low frequency characteristics of a 1" dome.

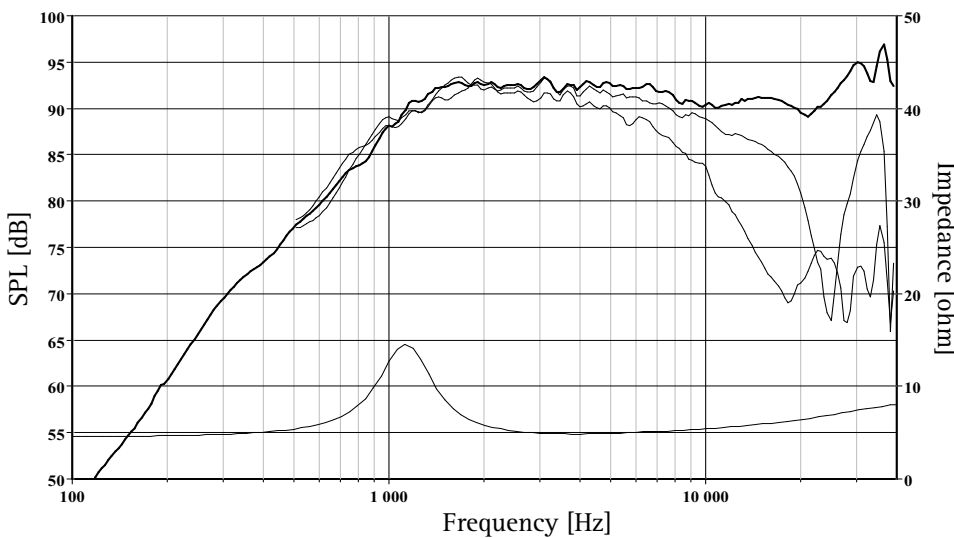
Aluminium/magnesium dome for low mass and high rigidity and stability. Protected by an acoustically open Hexagrid.

Precoated Sonomex surround gives low resonance frequency, high consistency and excellent stability against variations in air humidity.

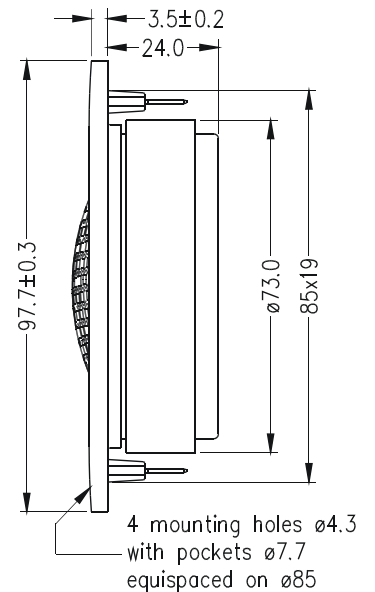
Voice coil windings immersed in magnetic fluid increase short term power handling capacity and reduce the compression at high power levels.

The chassis is moulded from a stiff and stable glass fibre reinforced polymer material, and its front design offers optimum radiation conditions.

Large ferrite magnet gives high efficiency.



The frequency responses above show measured free field sound pressure in 0, 30, and 60 degrees, mounted in a 0.6m by 0.8m baffle. Input 2.83 Vrms, microphone distance 0.5m, normalized to SPL 1m. The impedance is measured without baffle using a 2V sine signal.



Nominal Impedance	6 Ohms	Voice Coil Resistance	4.9 Ohms
Recommended Frequency Range	2500 - 30000 Hz	Voice Coil Inductance	0.05 mH
Short Term Power Handling *	180 W	Force Factor	3.3 N/A
Long Term Power Handling *	80 W	Free Air Resonance	1100 Hz
Characteristic Sensitivity (2.83V, 1m)	92 dB	Moving Mass	0.23 g
Voice Coil Diameter	19.5 mm	Effective Piston Area	5.9 cm <sup>2</sup>
Voice Coil Height	1.5 mm	Magnetic Gap Flux Density	2.0 T
Air Gap Height	2 mm	Magnet Weight	0.25 kg
Linear Coil Travel (p-p)	0.5 mm	Total Weight	0.5 kg